

## **Protective Cover for Heat Sealing Jaws**

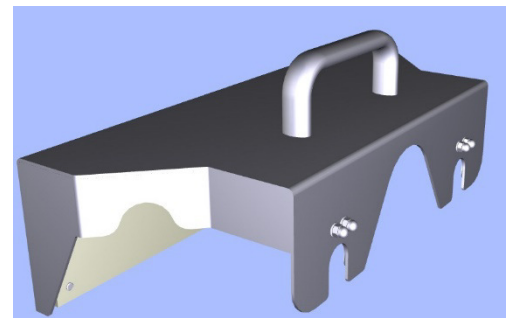
Dear customer,

Safety for the personnel working at your ROVEMA form, fill and seal machine is of great importance for an efficient and reliable production. With the protective cover for the heat sealing jaws we offer you a useful retrofit for optimizing the working conditions.

The cover is especially suitable for machines with a swivelling jaw support, but it can also be used with the standard execution. It is available for front as well as for rear sealing jaws and can be applied without any tools. In addition to the protection from hot sealing surfaces during maintenance and set-up works, the cover prevents damage, e.g. during a format change. Since one doesn't have to wait for a cooling of the sealing tools, it also offers a considerable saving of time.

### **The protective cover for heat sealing jaws offers you:**

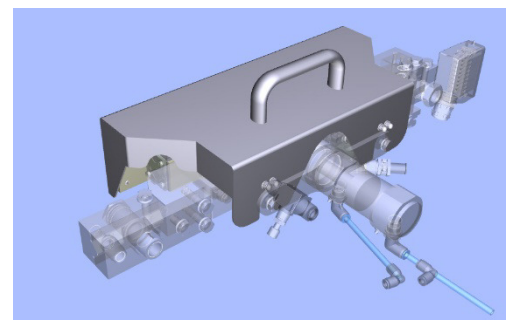
- protection from burns during maintenance and set-up works
- waiting for cooling of sealing tools not necessary
- protection of sealing surfaces against damage
- applicable flexibly and without tools
- if machines or jaws are of the same type, the same protective cover can be used



*protective cover*

### **The retrofit kit contains:**

- heat protection with cover plate and handle made of stainless steel
- cover with insulating plate in the area of the sealing jaws
- completely pre-assembled



*protective cover at front cross sealing jaw*

The protective cover can be retrofitted on all ROVEMA form, fill and seal machines of type VPI, VPS, VPL and BVC, all other machine types on request.

For more information about the protective cover for heat sealing jaws or in case of questions regarding your ROVEMA packaging machine, your contact persons at ROVEMA Service are always at your disposal.

Your ROVEMA Service Team